



## EKO-Power EP Series 65

## EP12-

Eko-Power EP series product is a general Valve Regulated Lead Acid battery with **AGM technology**. EP series batteries are widely applied to energy reservation system, traction system, starting devices, emergence system and so on.

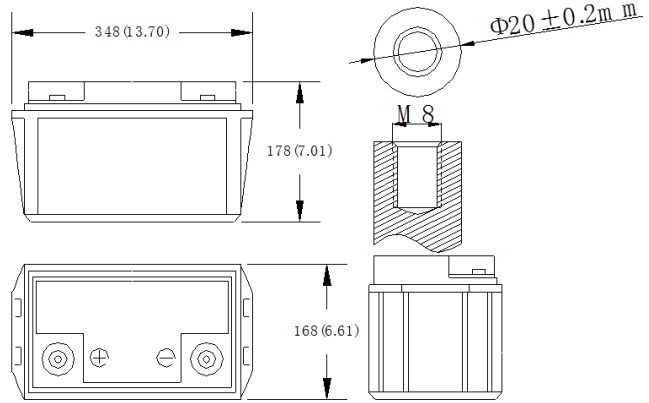
### Application

Lighting system, Security system, Electric toy, Medical equipment, Telecommunication system, Power systems, UPS, Electric tools, Hobby and so on.



### General Specifications

<b>Nominal Voltage</b>	12 V			
<b>Rated Capacity (25°C)</b>	20HR 68.3AH	10HR 65AH	5HR 55.3 AH	1HR 35.75 AH
<b>Designed Service Life</b>	8~12 years			
<b>Approx. Weight</b>	22.8 Kg (50.3 lbs)±5%			
<b>Internal Resistance</b>	Fully charged at 25°C: 0.007 Ohm			
<b>Self-discharge</b>	3% of capacity declined per month at 25°C			
<b>Charge Voltage (25°C)</b>	Cycle use		Stand-by use	
	14.4-15.0V(-15mV/°C) max. Current 16.25A		13.5-13.8V (-10mV/°C) max. Current 16.25A	
<b>Dimension: mm (inch)</b>	Length	Width	Height	Total Height
	348(13.70)	168 (6.61)	178 (7.01)	178 (7.01)



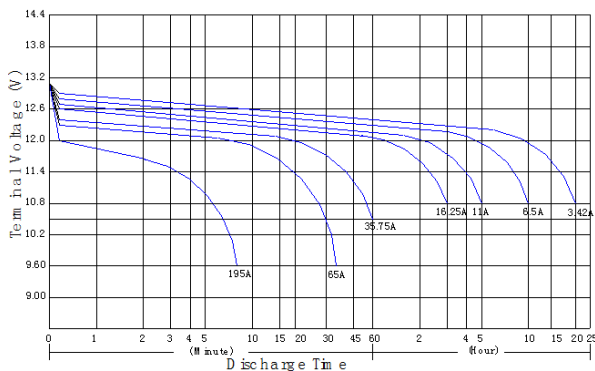
**Constant Current Discharge Data (Amperes at 25 °C)**

Cell Voltage	5min	10min	15min	30min	1h	3h	5h	10h	20h
1.80	165	120	100	61.8	40.0	15.7	10.7	6.00	3.20
1.75	178	132	108	64.1	40.9	16.0	10.9	6.10	3.25
1.70	191	143	114	66.3	42.0	16.4	11.1	6.24	3.30
1.65	203	154	120	68.4	43.1	16.8	11.3	6.37	3.34
1.60	215	160	125	70.5	44.2	17.2	11.6	6.47	3.37

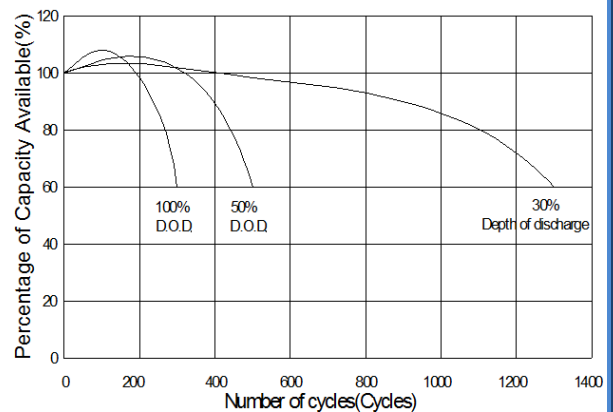
**Constant Power Discharge Data (Watts at 25 °C)**

Cell Voltage	5min	10min	15min	30min	45min	1h	2h	3h	5h
1.80	303	220	183	114	90.0	75.5	44.4	31.7	21.7
1.75	315	237	193	116	92.4	75.4	45.6	32.4	21.9
1.70	337	252	197	118	94.5	77.2	46.7	33.1	22.1
1.65	359	267	200	120	96.5	79.0	47.7	33.8	22.6
1.60	381	282	204	122	98.0	80.8	48.7	34.5	22.8

**Discharge Characteristic (25 °C)**



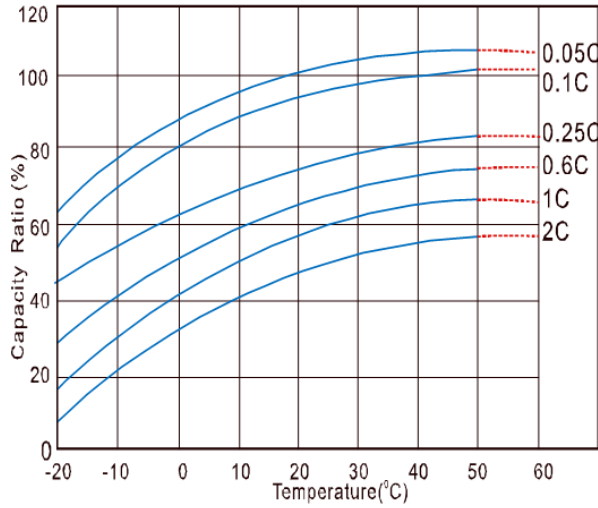
**Number of cycles Vs. Depth of Discharge**



# EKO-Power



## Effect of temperature on capacity



## Charge Characteristic (25°C)

